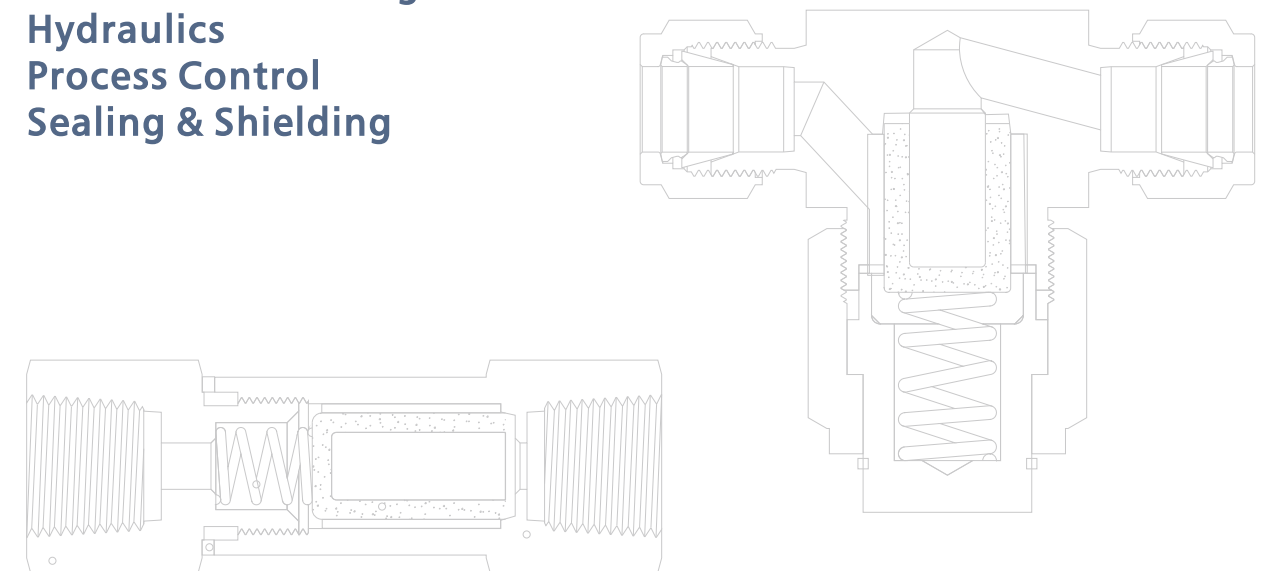




Filters



- Climate Control
- Electromechanical
- Filtration
- Fluid & Gas Handling
- Hydraulics
- Process Control
- Sealing & Shielding



VFK

VFK FLUID CONTROL CO.,LTD

Add:No.18 Danyan Road,Fenghuang Industrial Park,Danyang,Jiangsu,P.R.China

Tel: 0086-511-86197685

Fax: 0086-511-86535052

Http://www.vfkgroup.com

VFK
Advanced Fluid Control

Filtration Definitions

- ⦿ Sintered element: metal powder (alloys are available) is pressed in a die at sufficient pressure that the powder particles adhere at their contact points.
- ⦿ Strainer element: the strainer is cup-shaped and includes an inner cup-shaped support structure having staggered perforations extending through the surfaces thereof an outer cup-shaped strainer structure constructed of wire mesh is closely received over the support structure
- ⦿ Element nominal pore size: the element nominal pore size is normally calculated from the pressure required to cause air to bubble from the largest pore in the filter element when submerged in a test liquid.

Features

Tee-type Filters

66 Series

- ⦿ Filter element replaceable without removing body from system
- ⦿ Union bonnet design
- ⦿ Nominal pore sizes for sintered element: 0.5, 2, 7, 15, 40, 60 and 80µm
- ⦿ Nominal pore sizes for strainer element: 100, 150, 250 and 450µm
- ⦿ Maximum working pressure: 6000 psig (414 bar)
- ⦿ Working temperature: -20F to 900F (-29°C to 482°C)
- ⦿ Body materials: 316 SS, 316L SS, 304 SS, 304L SS and Brass
- ⦿ Variety of end connections available

Bypass Filters

66B Series

- ⦿ Bypass port at filter bottom for the ease of sampling or purging
- ⦿ Union bonnet design
- ⦿ Nominal pore sizes for sintered element: 0.5, 2, 7, 15, 40, 60 and 80µm
- ⦿ Nominal pore sizes for strainer element: 100, 150, 250 and 450µm
- ⦿ Maximum working pressure: 6000 psig (414 bar)
- ⦿ Working temperature: -20F to 900F (-29°C to 482°C)
- ⦿ Body materials: 316 SS, 316L SS, 304 SS, 304L SS and Brass
- ⦿ Variety of end connections available

In-line Filters

661 Series

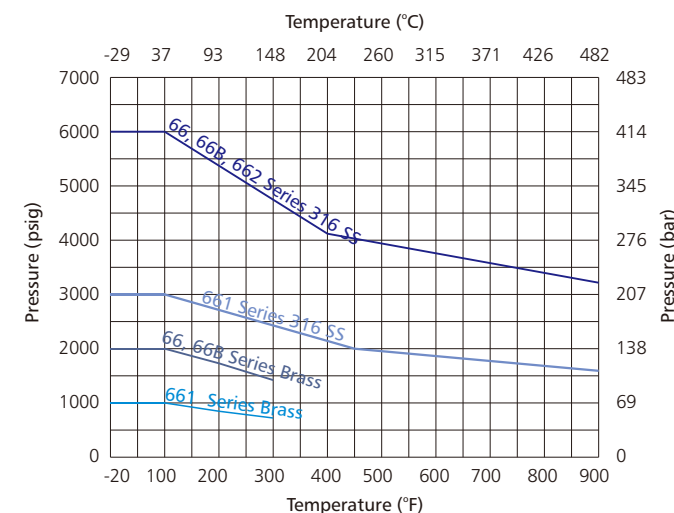
- ⦿ Compact and space-saving design
- ⦿ Nominal pore sizes for sintered element: 0.5, 2, 7, 15, 40, 60 and 80µm
- ⦿ Nominal pore sizes for strainer element: 100, 150, 250 and 450µm
- ⦿ Maximum working pressure: 3000 psig (207 bar)
- ⦿ Working temperature: -20F to 900F (-29°C to 482°C)
- ⦿ Body materials: 316 SS, 316L SS, 304 SS, 304L SS, 321 SS and Brass
- ⦿ Variety of end connections available

All-welded In-line Filters

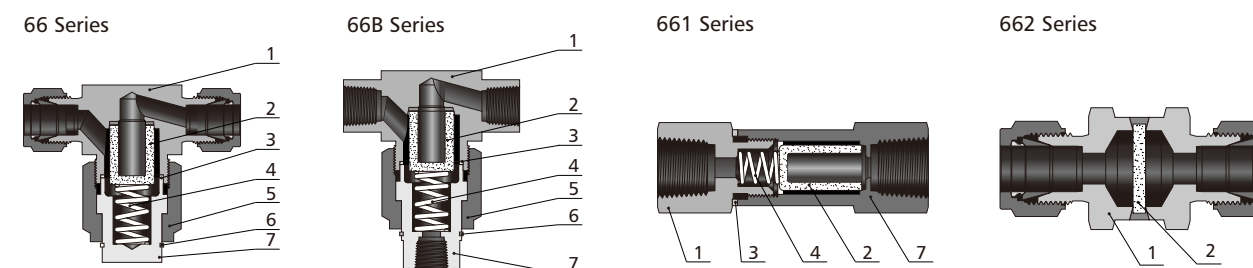
662 Series

- ⦿ Large filtration area and high flow coefficient
- ⦿ All-welded construction for elimination of leakage
- ⦿ Easy cleaning of filters by backflushing
- ⦿ Full-penetration weld between body and element
- ⦿ Nominal pore sizes for sintered element: 0.5, 2, 7, 15, 40, 60 and 80µm
- ⦿ Maximum working pressure: 6000 psig (414 bar)
- ⦿ Working temperature: -20F to 900F (-29°C to 482°C)
- ⦿ Body materials: 316 SS, 316LSS, 304 SS, 304LSS and Brass
- ⦿ Variety of end connections available

Pressure vs. Temperature



Contact the authorized representative or VFK for curve graph of other materials



Standard Materials of Construction

Component	Material Grade/ASTM Specification	
	316 SS	Brass
1 Body	316 SS/A479	Brass/B16
2 Element	Sintered 316 SS or strainer 316 SS	Sintered 316 SS or strainer 316 SS
3 Gasket	PTFE/D1710 or silver-plated 316 SS/A240	PTFE/D1710 or aluminum/B209
4 Spring	302 SS/A313	302 SS/A313
5 Bonnet Nut	316 SS/A479	Brass/B16
6 Backup Ring	316 SS/A276	
7 Bonnet	316 SS/A479	Brass/B16

- 662 Series filters not available in brass
- Lubricants: molybdenum disulfide-based and silicone-based

Maximum Differential Pressure of Clean Filter at 70°F (20°C)

Series	Maximum Differential Pressure psig (bar)										
	0.5 micron	2 micron	7 micron	15 micron	40 micron	60 micron	80 micron	100 micron	150 micron	250 micron	450 micron
66, 66B, 661	2250 (155.2)	2250 (155.2)	1950 (134.5)	1750 (120.3)	1150 (79.3)	1150 (79.3)	1000 (68.9)	1000 (68.9)	1000 (68.9)	1000 (68.9)	1000 (68.9)
662	600 (41.4)	100 (6.9)	100 (6.9)	100 (6.9)	—	—	—	—	—	—	—

Elements

Nominal Pore Size μm	Pore Size Range μm	Element Type
0.5	0.5 to 2	Sintered
2	1 to 4	
7	5 to 10	
15	11 to 25	
40	35 to 53	
60	50 to 75	
80	70 to 95	
100	—	Strainer
150	—	
250	—	
450	—	

Filtration Area

Series	Orifice in. (mm)	Filtration Area in. ² (mm ²)	
		Sintered	Strainer
266, 266B	0.094 (2.04)	1.30 (830)	1.00 (640)
466, 466B	0.172 (4.36)	1.30 (830)	1.00 (640)
666, 666B	0.213 (5.41)	2.00 (1280)	1.70 (1090)
866, 866B	0.250 (6.35)	2.00 (1280)	1.70 (1090)
2661	0.094 (2.39)	0.55 (350)	—
4661	0.187 (4.75)	1.30 (830)	1.00 (640)
6661	0.281 (7.14)	2.00 (1280)	1.70 (1090)
8661	0.406 (10.30)	2.00 (1280)	1.70 (1090)
4FW	0.187 (4.75)	0.44 (283)	—

661 Series

Pressure Drop to Atmosphere p psig (bar)	2 Series		4 Series		6, 8 Series	
	Water Flow, U.S. gal (L/min)	Air Flow, std ft ³ /min (std L/min)	Water Flow, U.S. gal (L/min)	Air Flow, std ft ³ /min (std L/min)	Water Flow, U.S. gal (L/min)	Air Flow, std ft ³ /min (std L/min)
	0.5 Micron Cv = 0.008		0.5 Micron Cv = 0.038		0.5 Micron Cv = 0.187	
5 (0.34)	0.01 (0.03)	0.09 (2.6)	0.08 (0.30)	0.42 (11.9)	0.41 (1.54)	2.09 (59.2)
10 (0.69)	0.02 (0.07)	0.11 (3.1)	0.12 (0.45)	0.52 (14.7)	0.59 (2.23)	2.56 (72.5)
50 (3.45)	0.05 (0.18)	0.30 (8.5)	0.26 (0.98)	1.42 (40.2)	1.32 (4.98)	6.99 (197.9)
	2 Micron Cv = 0.022		2 Micron Cv = 0.106		2 Micron Cv = 0.374	
5 (0.34)	0.04 (0.15)	0.24 (6.8)	0.23 (0.86)	1.18 (33.4)	0.83 (3.13)	4.20 (118.9)
10 (0.69)	0.06 (0.22)	0.30 (8.5)	0.42 (1.58)	1.45 (41.1)	1.18 (4.46)	5.13 (145.3)
50 (3.45)	0.15 (0.56)	0.82 (23.2)	0.74 (2.79)	3.96 (112.1)	2.64 (9.97)	14.00 (396.4)
	7 Micron Cv = 0.028		7 Micron Cv = 0.112		7 Micron Cv = 0.406	
5 (0.34)	0.06 (0.22)	0.31 (8.7)	0.25 (0.94)	1.26 (35.7)	0.90 (3.40)	4.56 (129.1)
10 (0.69)	0.08 (0.30)	0.38 (10.8)	0.35 (1.32)	1.54 (43.6)	1.28 (4.83)	5.57 (157.7)
50 (3.45)	0.19 (0.71)	1.05 (29.7)	0.79 (2.98)	4.20 (118.9)	2.87 (10.80)	15.20 (430.4)
	15 Micron Cv = 0.096		15 Micron Cv = 0.183		15 Micron Cv = 0.515	
5 (0.34)	0.21 (0.79)	1.08 (30.6)	0.40 (1.51)	2.05 (58.0)	1.15 (4.37)	5.78 (163.7)
10 (0.69)	0.30 (1.13)	1.32 (37.4)	0.57 (2.15)	2.50 (70.8)	1.62 (6.12)	7.07 (200.2)
50 (3.45)	0.67 (2.53)	3.60 (101.9)	1.29 (4.87)	6.80 (192.6)	3.64 (13.70)	19.20 (543.7)
	40 Micron Cv = 0.143		40 Micron Cv = 0.294		40 Micron Cv = 0.678	
5 (0.34)	0.32 (1.20)	1.60 (43.7)	0.65 (2.45)	3.30 (93.4)	1.51 (5.70)	7.72 (218.6)
10 (0.69)	0.45 (1.70)	1.95 (55.2)	0.92 (3.47)	4.03 (114.1)	2.14 (8.08)	9.43 (267.0)
50 (3.45)	1.01 (3.81)	5.34 (151.2)	2.07 (7.82)	11.00 (311.5)	4.79 (18.10)	25.70 (727.7)
	60 Micron Cv = 0.168		60 Micron Cv = 0.325		60 Micron Cv = 0.874	
5 (0.34)	0.37 (1.39)	1.89 (53.5)	0.72 (2.72)	3.57 (101.0)	1.95 (7.37)	9.81 (277.8)
10 (0.69)	0.53 (2.00)	2.31 (65.4)	1.02 (3.85)	4.46 (126.3)	2.76 (10.40)	11.90 (337.0)
50 (3.45)	1.18 (4.46)	6.30 (178.4)	2.29 (8.86)	12.10 (342.6)	6.18 (23.30)	32.70 (926.0)
	80 Micron Cv = 0.198		80 Micron Cv = 0.473		80 Micron Cv = 1.106	
5 (0.34)	0.44 (1.66)	2.22 (62.3)	1.05 (3.96)	5.31 (150.4)	2.47 (9.33)	12.40 (351.1)
10 (0.69)	0.62 (2.34)	2.71 (76.7)	1.49 (5.63)	6.49 (183.8)	3.49 (13.10)	15.10 (427.6)
50 (3.45)	1.40 (5.29)	7.41 (209.8)	3.34 (12.60)	17.70 (501.2)	7.82 (29.50)	41.40 (1172.3)
	100 Micron Cv = 0.220		100 Micron Cv = 0.565		100 Micron Cv = 1.218	
5 (0.34)	0.49 (1.85)	2.47 (69.9)	1.26 (4.76)	6.35 (179.8)	2.72 (10.20)	13.60 (385.1)
10 (0.69)	0.69 (2.60)	3.02 (85.5)	1.78 (6.72)	7.76 (219.7)	3.85 (14.50)	16.70 (472.9)
50 (3.45)	1.55 (5.85)	8.25 (233.6)	3.99 (15.00)	21.10 (597.5)	8.61 (32.50)	45.60 (1291.2)
	150, 250, 450 Micron Cv = 0.264		150, 250, 450 Micron Cv = 0.780		150, 250, 450 Micron Cv = 2.413	
5 (0.34)	0.59 (2.23)	2.97 (84.1)	1.74 (6.57)	8.70 (246.3)	5.39 (20.30)	27.00 (764.6)
10 (0.69)	0.83 (3.13)	3.63 (102.8)	2.46 (9.29)	10.70 (303.0)	7.63 (28.80)	33.10 (937.3)
50 (3.45)	1.86 (7.03)	9.90 (280.3)	5.51 (20.80)	29.20 (826.9)	17.00 (64.20)	90.30 (2557.0)

Flow Data at 70°F (20°C)

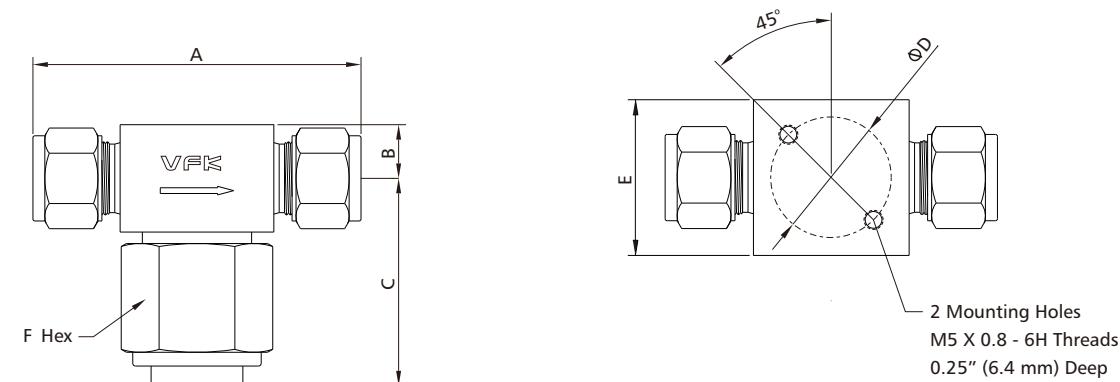
66, 66B Series

Pressure Drop to Atmosphere p psig (bar)	2 Series		4 Series		6, 8 Series	
	Water Flow, U.S. gal (L/min)	Air Flow, std ft ³ /min (std L/min)	Water Flow, U.S. gal (L/min)	Air Flow, std ft ³ /min (std L/min)	Water Flow, U.S. gal (L/min)	Air Flow, std ft ³ /min (std L/min)
	0.5 Micron Cv = 0.035		0.5 Micron Cv = 0.035		0.5 Micron Cv = 0.052	
5 (0.34)	0.07 (0.26)	0.40 (11.3)	0.07 (0.26)	0.40 (11.3)	0.11 (0.43)	0.47 (13.3)
10 (0.69)	0.11 (0.42)	0.50 (14.2)	0.11 (0.42)	0.50 (14.2)	0.16 (0.62)	0.74 (21.0)
50 (3.45)	0.25 (0.95)	1.33 (37.7)	0.25 (0.95)	1.33 (37.7)	0.36 (1.38)	1.96 (55.5)
	2 Micron Cv = 0.068		2 Micron Cv = 0.072		2 Micron Cv = 0.096	
5 (0.34)	0.15 (0.56)	0.77 (21.8)	0.16 (0.60)	0.82 (23.2)	0.21 (0.81)	1.09 (30.9)
10 (0.69)	0.22 (0.83)	0.97 (27.5)	0.22 (0.83)	1.02 (28.9)	0.30 (1.14)	1.37 (38.8)
50 (3.45)	0.48 (1.81)	2.58 (73.1)	0.51 (1.93)	2.72 (77.0)	0.67 (2.53)	3.64 (103.1)
	7 Micron Cv = 0.158		7 Micron Cv = 0.165		7 Micron Cv = 0.35	
5 (0.34)	0.35 (1.32)	1.80 (51.0)	0.37 (1.40)	1.88 (53.2)	0.78 (2.96)	4.00 (113.3)
10 (0.69)	0.50 (1.89)	2.25 (63.7)	0.52 (1.96)	2.35 (66.5)	1.10 (4.18)	5.00 (141.6)
50 (3.45)	1.12 (4.22)	5.98 (169.3)	1.16 (4.38)	6.25 (177.0)	2.47 (9.35)	13.30 (376.6)
	15 Micron Cv = 0.19		15 Micron Cv = 0.20		15 Micron Cv = 0.37	
5 (0.34)	0.42 (1.61)	2.16 (61.2)	0.44 (1.66)	2.28 (64.6)	0.82 (3.12)	4.20 (118.9)
10 (0.69)	0.60 (2.27)	2.71 (76.7)	0.63 (2.38)	2.85 (80.7)	0.82 (3.12)	5.28 (149.5)
50 (3.45)	1.34 (5.06)	7.20 (203.9)	1.41 (5.33)	7.58 (214.6)	2.61 (9.88)	14.00 (396.4)
	40 Micron Cv = 0.23		40 Micron Cv = 0.24		40 Micron Cv = 0.42	
5 (0.34)	0.51 (1.94)	2.62 (74.2)	0.54 (2.04)	2.74 (77.6)	0.93 (3.54)	4.80 (135.9)
10 (0.69)	0.73 (2.76)	3.28 (96.8)	0.76 (2.87)	3.42 (96.8)	1.32 (5.02)	6.00 (169.9)
50 (3.45)	1.63 (6.16)	8.74 (247.5)	1.70 (6.42)	9.11 (258.0)	2.96 (11.20)	15.90 (450.2)
	60 Micron Cv = 0.24		60 Micron Cv = 0.25		60 Micron Cv = 0.45	
5 (0.34)	0.54 (2.04)	2.74 (77.6)	0.56 (2.11)	2.85 (80.7)	1.00 (3.78)	5.10 (144.4)
10 (0.69)	0.76 (2.87)	3.42 (96.8)	0.79 (2.98)	3.57 (101.1)	1.42 (5.37)	6.40 (181.2)
50 (3.45)	1.70 (6.42)	9.11 (258.0)	1.77 (6.70)	9.49 (268.7)	3.18 (12.00)	17.00 (481.4)
	80 Micron Cv = 0.25		80 Micron Cv = 0.26		80 Micron Cv = 0.67	
5 (0.34)	0.56 (2.11)	2.85 (80.7)	0.58 (2.19)	2.96 (83.8)	1.49 (5.66)	7.64 (216.3)
10 (0.69)	0.79 (2.98)	3.57 (101.1)	0.82 (3.10)	3.70 (104.8)	2.11 (5.89)	9.55 (270.4)
50 (3.45)	1.77 (6.70)	9.49 (268.7)	1.84 (6.95)	9.80 (277.5)	4.73 (17.90)	25.40 (719.2)
	100 Micron Cv = 0.27		100 Micron Cv = 0.28		100 Micron Cv = 0.72	
5 (0.34)	0.60 (2.27)	3.08 (87.2)	0.62 (2.34)	3.20 (90.6)	1.61 (6.08)	8.20 (232.2)
10 (0.69)	0.85 (3.21)	3.85 (109.0)	0.88 (3.30)	4.00 (113.2)	2.27 (8.61)	10.20 (288.8)
50 (3.45)	1.91 (7.22)	10.20 (288.8)	1.98 (7.48)	5.30 (150.1)	5.09 (19.20)	27.20 (770.2)
	150, 250, 450 Micron Cv = 0.55		150, 250, 450 Micron Cv = 0.58		150, 250, 450 Micron Cv = 0.82	
5 (0.34)	1.23 (4.65)	6.28 (177.8)	1.30 (4.91)	6.60 (186.9)	1.83 (6.93)	9.36 (265.0)
10 (0.69)	1.74 (6.58)	7.85 (222.3)	1.83 (6.91)	8.20 (232.2)	2.59 (9.80)	11.70 (331.3)
50 (3.45)	3.89 (14.70)	20.80 (589.0)	4.10 (15.50)	21.90 (620.1)	5.79 (21.90)	27.20 (770.2)

Pressure Drop to Atmosphere Δp psig (bar)	4 Series	
	Water Flow, U.S. gal (L/min)	Air Flow, std ft ³ /min (std L/min)
	0.5 Micron Cv = 0.008	
5 (0.34)	0.01 (0.03)	0.09 (2.6)
10 (0.69)	0.02 (0.07)	0.11 (3.1)
50 (3.45)	0.05 (0.18)	0.30 (8.5)
	2 Micron Cv = 0.42	
5 (0.34)	0.93 (3.50)	4.72 (133.7)
10 (0.69)	1.32 (4.98)	5.77 (163.4)
50 (3.45)	2.96 (11.10)	15.70 (444.6)
	5 Micron Cv = 0.45	
5 (0.34)	1.00 (3.78)	5.04 (142.7)
10 (0.69)	1.42 (5.36)	6.16 (174.4)
50 (3.45)	3.18 (12.00)	16.80 (475.7)
	15 Micron Cv = 0.76	
5 (0.34)	1.69 (6.22)	8.55 (242.1)
10 (0.69)	2.40 (9.07)	10.40 (294.5)
50 (3.45)	5.37 (20.30)	28.50 (807.0)

Dimensions

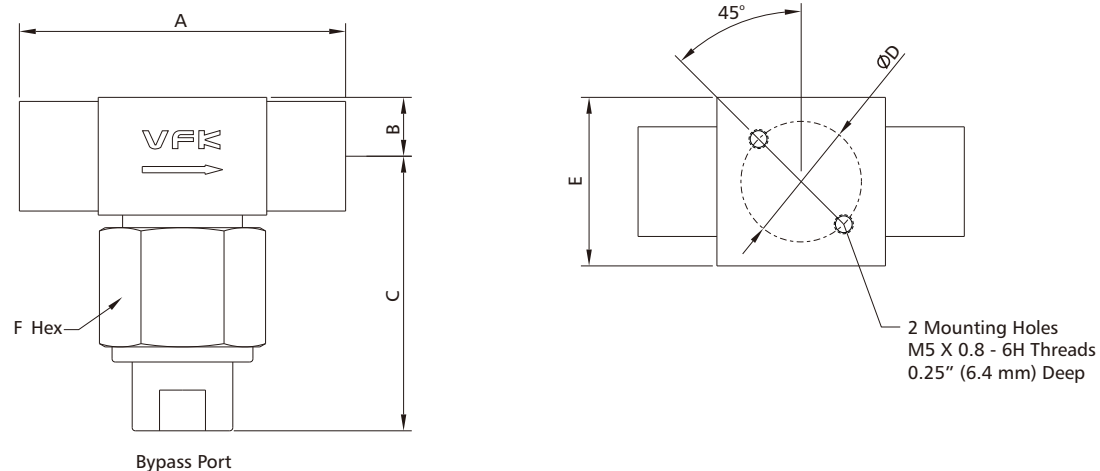
66 Series



Basic Ordering Number	Connection Type and Size		Element Series	Dimension, in. (mm)					
	Inlet	Outlet		A	B	C	ØD	E	F
□□66-FX2-	1/8" VFK	1/8" VFK	4	2.27 (57.7)	0.38 (9.7)	1.49 (37.8)	1.00 (25.4)	1.00 (25.4)	1 (25.4)
□□66-FX4-	1/4" VFK	1/4" VFK	4	2.47 (62.7)					
□□66-FX6-	3/8" VFK	3/8" VFK	8	2.84 (72.1)					
□□66-FX8-	1/2" VFK	1/2" VFK	8	3.04 (77.2)	0.46 (11.7)	1.74 (44.2)	1.13 (28.7)	1.13 (28.7)	1 1/8 (28.6)
□□66-MX6-	6 mm VFK	6 mm VFK	4	2.46 (62.5)	0.38 (9.7)	1.49 (37.8)	1.00 (25.4)	1.00 (25.4)	1 (25.4)
□□66-MX8-	8 mm VFK	8 mm VFK	8	2.84 (72.1)	0.46 (11.7)	1.74 (44.2)	1.13 (28.7)	1.13 (28.7)	1 1/8 (28.6)
□□66-MX10-	10 mm VFK	10 mm VFK	8	2.86 (72.6)					
□□66-MX12-	12 mm VFK	12 mm VFK	8	3.04 (77.2)					
□□66-TS4-	1/4" TS	1/4" TS	4	1.68 (42.7)	0.38 (9.7)	1.49 (37.8)	1.00 (25.4)	1.00 (25.4)	1 (25.4)
□□66-TS6-	3/8" TS	3/8" TS	4						
□□66-TB4-	1/4" TB	1/4" TB	4						
□□66-TB6-	3/8" TB	3/8" TB	4						
□□66-FN2-	1/8 Female NPT	1/8 Female NPT	4	2.00 (50.8)	0.46 (11.7)	1.74 (44.2)	1.13 (28.7)	1.13 (28.7)	1 1/8 (28.6)
□□66-FN4-	1/4 Female NPT	1/4 Female NPT	4	2.13 (54.1)					
□□66-N4-	1/4 Male NPT	1/4 Male NPT	4	2.38 (60.5)					
□□66-N6-	3/8 Male NPT	3/8 Male NPT	8	2.75 (69.9)	0.46 (11.7)	1.74 (44.2)	1.13 (28.7)	1.13 (28.7)	1 1/8 (28.6)
□□66-N8-	1/2 Male NPT	1/2 Male NPT	8	2.75 (69.9)	0.38 (9.7)	1.49 (37.8)	1.00 (25.4)	1.00 (25.4)	1 (25.4)
□□66-R4-	1/4 Male FR	1/4 Male FR	4	2.30 (58.4)					
□□66-R8-	1/2 Male FR	1/2 Male FR	8	2.55 (64.8)					

Mounting holes not available with 1/4 female NPT end connections

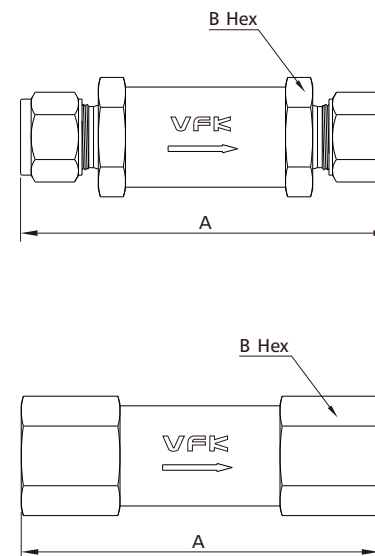
66B Series



Basic Ordering Number	Connection Type and Size		Element Series	Dimension, in. (mm)						
	Inlet	Outlet		A	B	C	ØD	E	F	Bypass Port End Connection
□□66B-FX2-	1/8" VFK	1/8" VFK	4	2.27 (57.7)	0.38 (9.7)	1.98 (50.2)	1.00 (25.4)	1.00 (25.4)	1 (25.4)	FL2
□□66B-FX4-	1/4" VFK	1/4" VFK	4	2.47 (62.7)		2.44 (61.9)				
□□66B-FX6-	3/8" VFK	3/8" VFK	8	2.84 (72.1)	0.46 (11.7)	2.74 (69.1)	1.13 (28.7)	1.13 (28.7)	1 1/8 (28.6)	FL6
□□66B-FX8-	1/2" VFK	1/2" VFK	8	3.04 (77.2)		2.96 (74.2)				
□□66B-MX6-	6 mm VFK	6 mm VFK	4	2.46 (62.5)	0.38 (9.7)	2.44 (61.9)	1.00 (25.4)	1.00 (25.4)	1 (25.4)	FL4
□□66B-MX8-	8 mm VFK	8 mm VFK	8	2.84 (72.1)	0.46 (11.7)	2.74 (69.1)	1.13 (28.7)	1.13 (28.7)	1 1/8 (28.6)	FL6
□□66B-MX10-	10 mm VFK	10 mm VFK	8	2.86 (72.6)		2.96 (74.2)				
□□66B-MX12-	12 mm VFK	12 mm VFK	8	3.04 (77.2)						
□□66B-TS4-	1/4" TS	1/4" TS	4	1.68 (42.7)	0.38 (9.7)	1.83 (56.4)	1.00 (25.4)	1.00 (25.4)	1 (25.4)	TB4
□□66B-TS6-	3/8" TS	3/8" TS	4							
□□66B-TB4-	1/4" TB	1/4" TB	4							
□□66B-TB6-	3/8" TB	3/8" TB	4							
□□66B-FN2-	1/8 Female NPT	1/8 Female NPT	4	2.00 (50.8)	0.38 (9.7)	1.71 (43.4)	1.00 (25.4)	1.00 (25.4)	1 (25.4)	FNS2
□□66B-FN4-	1/4 Female NPT	1/4 Female NPT	4	2.13 (54.1)						
□□66B-N4-	1/4 Male NPT	1/4 Male NPT	4							
□□66B-N6-	3/8 Male NPT	3/8 Male NPT	8	2.38 (60.5)	0.46 (11.7)	2.00 (50.8)	1.13 (28.7)	1.13 (28.7)	1 1/8 (28.6)	FL4
□□66B-N8-	1/2 Male NPT	1/2 Male NPT	8	2.75 (69.9)						
□□66B-R4-	1/4 Male FR	1/4 Male FR	4	2.38 (60.5)	0.38 (9.7)	2.44 (61.9)	1.00 (25.4)	1.00 (25.4)	1 (25.4)	FL4
□□66B-R8-	1/2 Male FR	1/2 Male FR	8	2.75 (69.9)	0.46 (11.7)	2.96 (74.2)	1.13 (28.7)	1.13 (28.7)	1 1/8 (28.6)	FL8

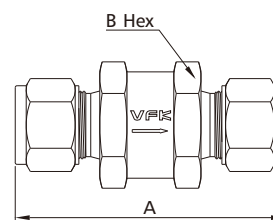
Mounting holes not available with 1/4 female NPT end connections

661 Series



Basic Ordering Number	Connection Type and Size		Element Series	Dimension, in. (mm)	
	Inlet	Outlet		A	B
□□661-FX2-	1/8" VFK	1/8" VFK	2	2.35 (59.7)	9/16 (14.3)
□□661-FX4-	1/4" VFK	1/4" VFK	4	2.95 (74.9)	3/4 (19.0)
□□661-FX6-	3/8" VFK	3/8" VFK	8	3.21 (81.5)	1 (25.4)
□□661-FX8-	1/2" VFK	1/2" VFK	8	3.49 (88.6)	
□□661-MX3-	3 mm VFK	3 mm VFK	2	2.38 (60.5)	9/16 (14.3)
□□661-MX6-	6 mm VFK	6 mm VFK	4	2.96 (75.2)	3/4 (19.0)
□□661-FN2-	1/8 Female NPT	1/8 Female NPT	2	2.16 (54.9)	9/16 (14.3)
□□661-FN4-	1/4 Female NPT	1/4 Female NPT	4	2.87 (72.9)	3/4 (19.0)
□□661-N2-	1/8 Male NPT	1/8 Male NPT	2	1.88 (47.7)	9/16 (14.3)
□□661-N4-	1/4 Male NPT	1/4 Male NPT	4	2.69 (68.3)	3/4 (19.0)
□□661-R2-	1/8 Male FR	1/8 Male FR	2	2.79 (70.8)	
□□661-R4-	1/4 Male FR	1/4 Male FR	4		
□□661-FR2-	1/8 Female BSPT	1/8 Female BSPT	2	2.16 (54.9)	9/16 (14.3)
□□661-FR4-	1/4 Female BSPT	1/4 Female BSPT	4	2.87 (72.9)	3/4 (19.0)
□□661-R2-	1/8 Male BSPT	1/8 Male BSPT	2	1.88 (47.7)	9/16 (14.3)
□□661-R4-	1/4 Male BSPT	1/4 Male BSPT	4	2.69 (68.3)	3/4 (19.0)

FW Series



Basic Ordering Number	Connection Type and Size		Orifice in. (mm)	Dimension, in. (mm)	
	Inlet	Outlet		A	B
□□662-FX4-	1/4" VFK	1/4" VFK	0.187(4.75)	2.15(54.6)	1 (25.4)
□□662-MX6-	6 mm VFK	6 mm VFK			
□□662-FN4-	1/4 Female NPT	1/4 Female NPT	0.453(11.5)	1.57(39.9)	
□□662-N4-	1/4 Male NPT	1/4 Male NPT	0.281(7.14)	1.89(48.0)	
□□662-R4-	1/4 Male FR	1/4 Male FR	0.187(4.75)	2.04(51.8)	

- VFK means VFK double ferrule tube fittings, FR means metal gasket seal fittings, TS means fractional tube socket weld, TB means fractional tube butt weld.
- Sizes and types listed are standard. Other sizes and types are available upon request.
- Dimensions are shown with VFK nuts finger-tightened. All dimensions are for reference only and are subject to change. For dimensions not shown above, please contact the authorized representative or VFK

Filters Ordering Information

SS66B — FX8 MX10 — S — P150 — FX4

A Body Material		B Valve Series		C Inlet Type		D Inlet Size		E Outlet Type		F Outlet Size		G Element Type		H Gasket Material		I Element Nominal Pore Size		J Bypass Port (for 66B Series Only)	
SS 66B		FX		8		MX		10		S		P		S		P			
Body Material	Series	Inlet Type	Inlet Size	Outlet Type	Outlet Size	Element Type	Gasket Material	Element Nominal Pore Size	Bypass Port (for 66B Series Only)										
SS 316 SS	66	FN Female NPT	2 1/8 (in.)	Same as Inlet	Specified in the same way as the inlet type and size	Sintered	Silver-plated 316 SS for 66, 66B, 661	05	Female NPT 1/8"										
6L 316L SS	66B	N Male NPT	4 1/4 (in.)					FX2 Fractional Tube Fitting 1/8"											
S4 304 SS	661	FR Female BSPT	6 3/8 (in.) or 6 mm	S Strainer		PTFE-plated 316 SS for 66, 66B, 661	P	7	FX4 Fractional Tube Fitting 1/4"										
4L 304L SS	662	R Male BSPT	8 1/2 (in.) or 8 mm					TS4 1/4" Tube Socket Weld											
S1 321 SS		FM Female ISO (for RP)	10 10 mm			Aluminum for 66, 66B, 661	A	15	FX6 Fractional Tube Fitting 3/8"										
B Brass		MS Male ISO (for RG)	12 3/4 (in.) or 12 mm					FX8 Fractional Tube Fitting 1/2"											
		FP Female BSPP (for RP)	14 14 mm or M14 x 1.5					60											
		BP Male BSPP (for RG)	16 1 (in.) or 16 mm					80											
		FX Fractional Tube Fitting	18 18 mm					100											
		MX Metric Tube Fitting	20 1 1/4 (in.) or 20 mm or M20 x 1.5					150											
		TS Fractional Tube Socket Weld	22 22 mm or M22 x 1.5					250											
		TB Fractional Tube Butt Weld	25 25 mm					450											
		MFR Male FR Fitting																	

- Standard thread pitch for metric threads are as follows:
 M10 and below: 1 mm
 M12 to M24: 1.5 mm
 M27 and above: 2 mm
 Standard thread pitch should be ignored in the ordering number, others should be specified.

Elements Ordering Information

A	B	C	D	E
Material	Element	Element Type	Element Series	Outlet Type
SS	E	SN	8	60

A	Material
SS:	316 SS
6L:	316L SS

B	Element
E	Element

C	Element Type
SN	Sintered
ST	Strainer

D	Element Series
Standard with 2 (only for sintered)	
4	4
8	8

E	Element Nominal Pore Size
05	0.5 µm
2	2 µm
7	7 µm
15	15 µm
40	40 µm
60	60 µm
80	80 µm
100	100 µm
150	150 µm
250	250 µm
450	450 µm